



CONFERENCE SEATING

www.simkoseating.com
simko@simkoseating.com

Diverse Production Capacity

- **Stadium Seats:** Our facilities are equipped to manufacture **250,000 plastic stadium seats** per shift, showcasing our significant production capabilities.
- **Conference and Cinema Seats:** Annually, we produce **150,000 seats** specifically designed for conferences and cinemas on a single shift basis. This capacity increases to **250,000** seats per year when operating on a **double shift** schedule.
- **Sofas:** Each year, we meticulously craft **1,000 sets of sofas**, demonstrating our versatility and commitment to quality in furniture manufacturing.



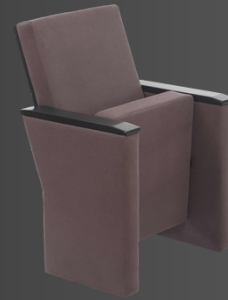
Global Presence

- **Employment Status:** We are proud to be an employer of over **55 skilled professionals**, each contributing to our local and international success.
- **Market Distribution:** Our sales distribution is strategically divided to cater to both international and local markets, with **85%** of our products being exported globally and **15%** satisfying domestic demands.

Strategic Locations

- **Headquartered in Bursa, Turkey**, with a significant production footprint that includes a state-of-the-art **4,000 square meter facility**.
- **Expansion in Europe:** In 2018, we expanded our production capabilities by opening a **second factory in Burgas, Bulgaria**, further solidifying our presence in the European market.





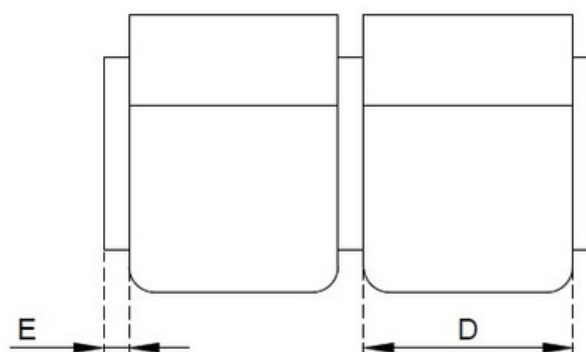
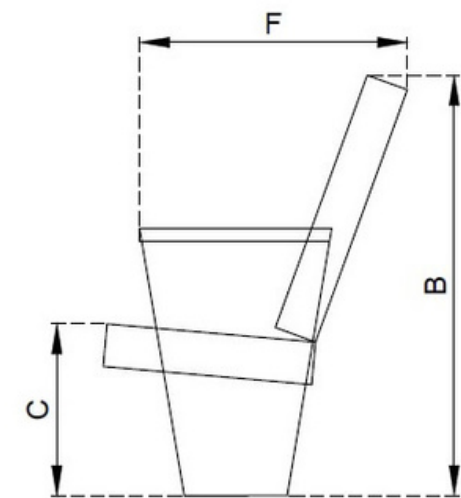
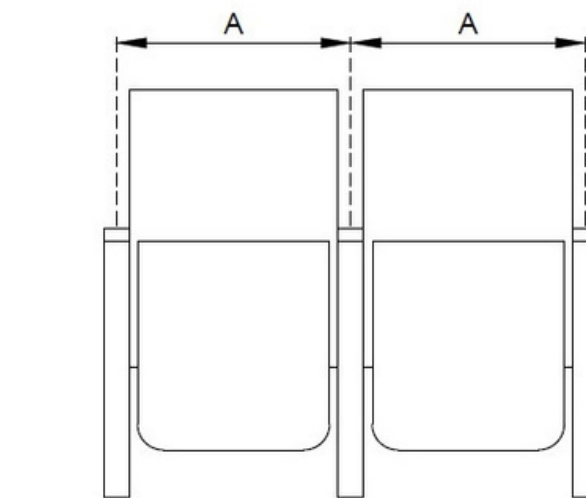
OUR PRODUCTS



ZIRKON

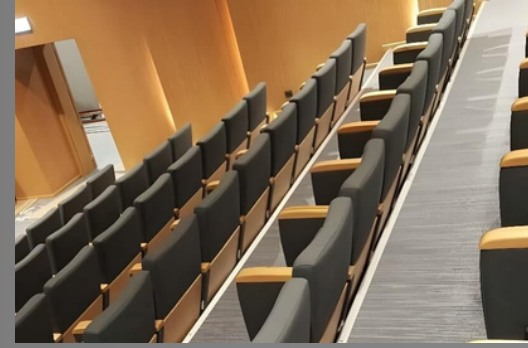


- **Precision Craftsmanship:** Our seat and back foams are meticulously shaped using aluminum molds, ensuring superior durability and comfort. These components meet the MVSS 302 standard for foam quality.
- **Integrated Support:** Both back and seat foams are seamlessly integrated onto the metal frame, adhering to the EN 12727 / 3.1 standard, symbolizing our commitment to strength and longevity.
- **High-Quality Materials:** We select only the finest materials for our seating solutions. The PU leather or fabric covering each piece possesses exceptional flammability resistance (B1 standard), marrying safety with sophistication.
- **Robust Foundation:** Our seats are anchored by durable metal feet, certified to the EN 12727/3.1 standard, ensuring stability and resilience in any setting.
- **Innovative Design:** Featuring a weight-sensitive closing mechanism, our seats offer both functionality and ease of use, enhancing the user experience with seamless operation.
- **Protective Shells:** The seat and backrest are encased in polypropylene injection cover shells, providing additional durability and a sleek finish to each piece.

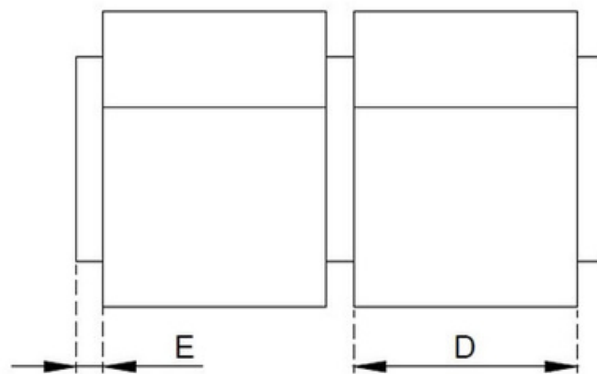
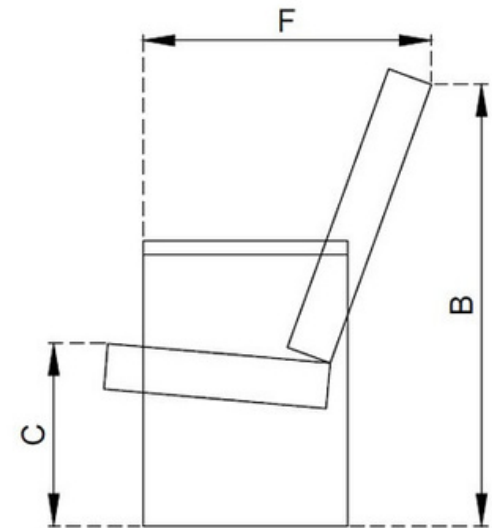
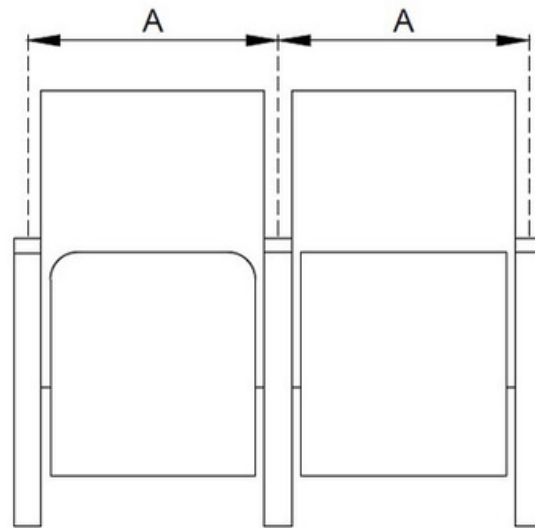


TECHNICAL DIMENSIONS (cm)		
A	CENTER TO CENTER	55
B	OVERALL HEIGHT	100
C	SITTING HEIGHT	45
D	SITTING WIDTH	49
E	ARMREST WIDTH	6
F	TOTAL DEPTH	55

KUVAR S



- **Superior Molded Foam:** Utilizing aluminum molds, our seat and back foams are crafted to perfection, achieving the highest standard of comfort and durability as per MVSS 302 specifications.
- **Reinforced Support:** The back foam features a robust wooden skeleton, enhancing structural integrity and providing long-lasting support.
- **Elegant Backrest:** Anchored to metal feet with an 18 mm thick oak veneer MDF, our backrest foam combines strength with aesthetic appeal.
- **Seamless Integration:** Our seat foam is meticulously molded onto the metal frame, conforming to EN 12727/3.1 standards for unparalleled durability and comfort.
- **Advanced Material Technology:** Covered in PU leather or fabric that meets the B1 and DIN EN 1021 flammability standards, our seating solutions offer both safety and style.
- **Sturdy Foundation:** The seat's durable metal feet are designed to withstand the test of time, certified to EN 12727 / 3.1 standards.
- **Innovative Seat Cushion:** Featuring a spring system for automatic shut down, our seat cushions offer convenience without compromising on comfort.
- **Durable Finish:** Metal parts are coated with epoxy polyester-based powder paint, providing a sleek finish and added durability with a thickness of 60 microns.
- **Exquisite Detailing:** The feet are fully enveloped with 8 mm thick oak veneer MDF, adding a touch of elegance and sophistication.
- **Polished Perfection:** The armrests are crowned with solid oak polished wood, ensuring a premium look and feel that's both luxurious and comfortable.

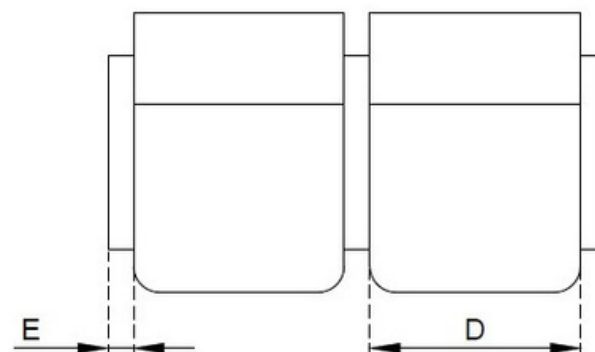
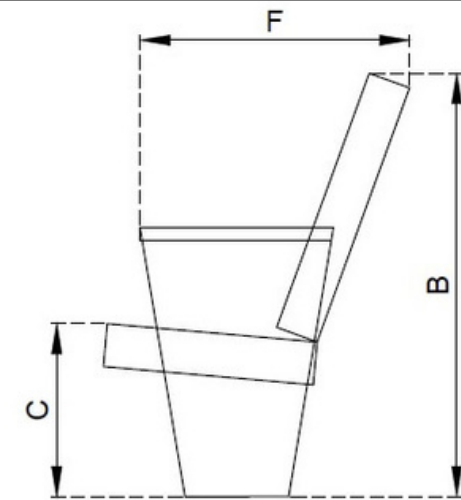
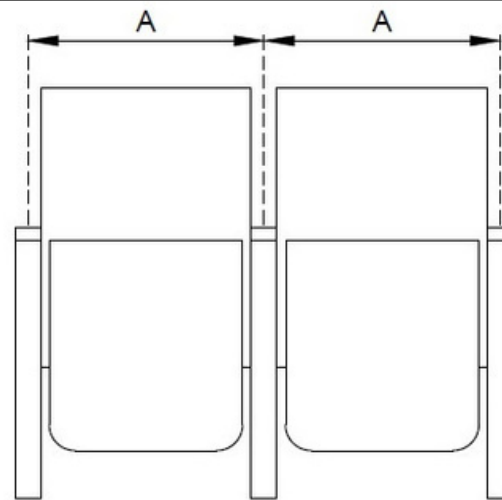


TECHNICAL DIMENSIONS (cm)		
A	CENTER TO CENTER	58
B	OVERALL HEIGHT	98
C	SITTING HEIGHT	45
D	SITTING WIDHT	50
E	ARMREST WIDTH	8
F	TOTAL DEPTH	63

AQUAMARIN VIP



- **Premium Molded Foam:** Both the back and seat cushions are expertly crafted using aluminum molds, adhering to the MVSS 302 standard, guaranteeing unmatched comfort and resilience.
- **Seamless Foam Integration:** The back foam is perfectly contoured to the metal frame, while the seat foam is custom-molded onto a special metal carcass, both meeting the rigorous EN 12727 / 3.1 standards for durability and support.
- **Advanced Material Choices:** Our seating surfaces are available in PU leather or fabric, each boasting B1 level flammability properties, blending safety with sophistication.
- **Robust and Elegant Foundation:** The seats feature durable metal feet, constructed to withstand extensive use and certified to EN 12727 / 3.1 standards, ensuring long-lasting stability.
- **Customizable Comfort:** Offering back height options of 106cm, 110cm, with or without a headrest, our seats cater to varied preferences and ergonomic requirements.
- **Innovative Closing Mechanism:** The seat foam is equipped with a unique spring system, designed for an automatic closing feature, enhancing user convenience and seat longevity.

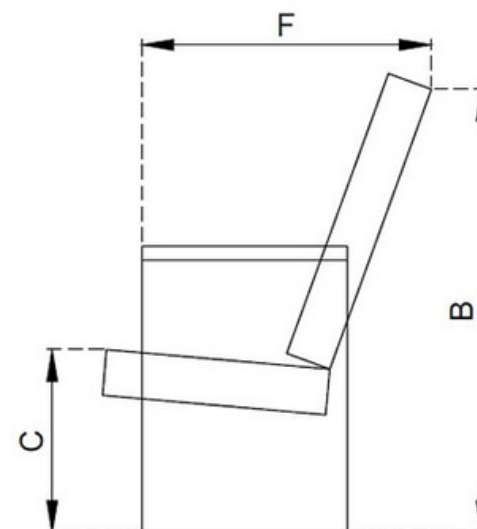
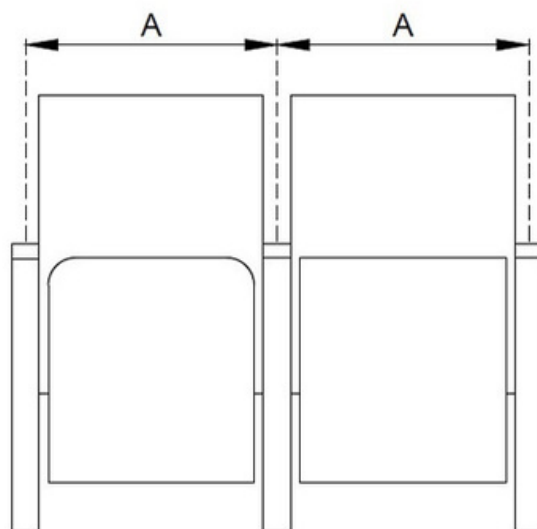


TECHNICAL DIMENSIONS (cm)		
A	CENTER TO CENTER	58
B	OVERALL HEIGHT	112
C	SITTING HEIGHT	45
D	SITTING WIDTH	50
E	ARMREST WIDTH	8
F	TOTAL DEPTH	60

SAFIR



- **Precision-Crafted Comfort:** Our seat and back foams are shaped to perfection in aluminum molds, adhering to the MVSS 302 standard, ensuring each piece offers exceptional comfort and support.
- **Seamless Foam Integration:** The back and seat foams are skillfully molded onto metal frames, meeting the EN 12727 / 3.1 standard, for a flawless blend of durability and ergonomic design.
- **Superior Material Safety:** Our seating options are upholstered with PU leather or fabric, both of which boast impressive flammability properties (B1, DIN EN 1021), merging safety with style.
- **Sturdy Metal Feet:** Engineered for longevity, the seat's metal feet conform to the EN 12727 / 3.1 standard, providing a solid foundation that stands the test of time.
- **Innovative Seat Cushion:** Featuring a spring system for a unique shutdown feature, our seat cushions are designed for both comfort and convenience, ensuring a seamless user experience.
- **Durable Finish:** All metal parts receive a finish of epoxy polyester-based powder paint, 60 microns thick, for a robust and attractive coating that resists wear and tear.

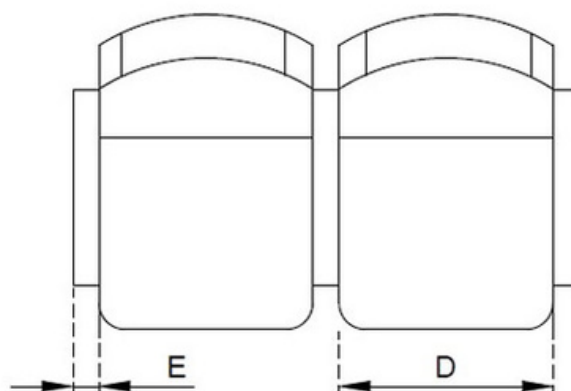
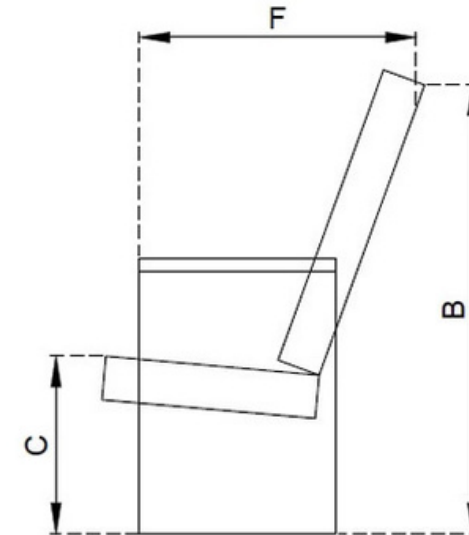
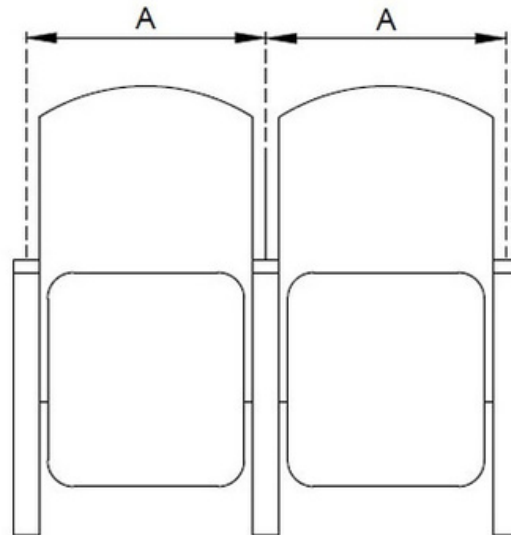


TECHNICAL DIMENSIONS (cm)		
A	CENTER TO CENTER	55
B	OVERALL HEIGHT	95
C	SITTING HEIGHT	45
D	SITTING WIDTH	50
E	ARMREST WIDTH	6
F	TOTAL DEPTH	58

OPAL



- **Expertly Crafted Foams:** Our seats and backs are crafted from molded foam, using aluminum molds for precision and durability, conforming to the MVSS 302 foam standard. This ensures both comfort and longevity for every piece.
- **Seamless Integration:** The back foam is perfectly molded onto the metal frame, aligning with EN 12727 / 3.1 standards, while the seat foam, also molded onto the metal frame, adheres to the stringent requirements of EN 127/3.1. This meticulous process guarantees unparalleled support and durability.
- **Safety Meets Style:** Upholstered in PU leather or fabric, our seating solutions come with advanced flammability properties (B1), offering both elegance and peace of mind.
- **Foundation of Strength:** Each seat is supported by durable metal feet, certified to EN 12727 / 3.1 standards, ensuring a stable and robust base that stands the test of time.
- **Adaptive Cushioning:** The seat cushion features a unique closing mechanism, activated by the user's weight for effortless functionality. Additionally, a spring-based system is available, offering flexibility to cater to various design preferences and comfort levels.

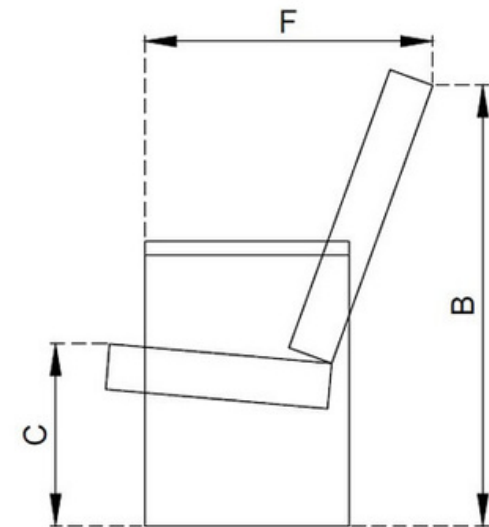
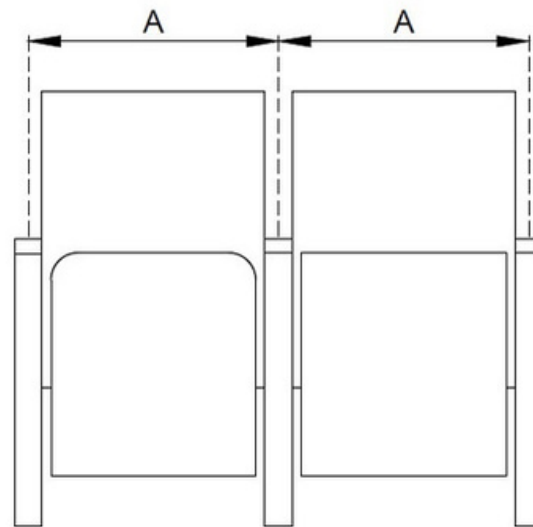


TECHNICAL DIMENSIONS (cm)		
A	CENTER TO CENTER	55
B	OVERALL HEIGHT	98
C	SITTING HEIGHT	45
D	SITTING WIDTH	49
E	ARMREST WIDTH	6
F	TOTAL DEPTH	54

AMETIST



- **Precision Engineered Comfort:** Our seat and back foams are masterfully created using aluminum molds to meet the MVSS 302 standard, ensuring both unparalleled comfort and lasting durability.
- **Robust Support Structure:** The back foam is expertly molded onto a metal frame, achieving the EN 12727 / 3.1 standard for enduring support and stability.
- **Innovative Seat Design:** Our seats feature foam molded onto a specially designed plastic carcass (FR-5), offering an exceptional blend of comfort and resilience.
- **Safety and Elegance Combined:** Covered in PU leather or fabric, our seating solutions are equipped with B1 flammability properties, ensuring both safety and style.
- **Stable and Strong Foundations:** The seats are supported by durable metal feet, certified to EN 12727 / 3.1 standards, for a reliable and sturdy base.
- **Customizable Comfort:** Choose from back height options of 112cm or 120cm, allowing for personalized comfort and aesthetic appeal.
- **Versatile Backrest Options:** Tailor your seating experience with our backrest options, including fixed, adjustable, or spring-loaded variations, to suit your specific comfort needs.

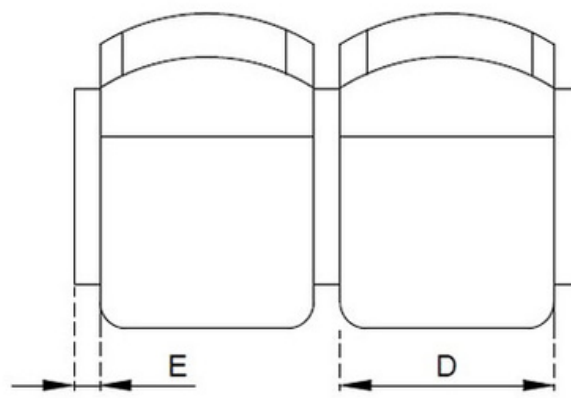
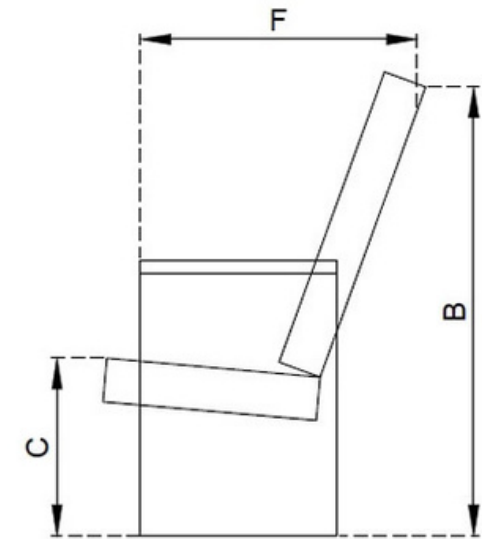
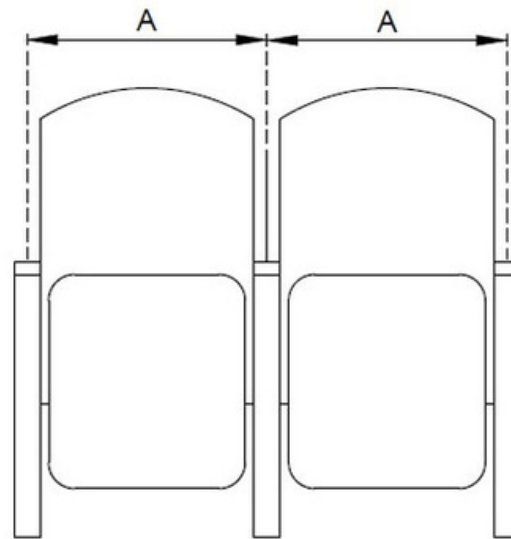


TECHNICAL DIMENSIONS (cm)		
A	CENTER TO CENTER	65
B	OVERALL HEIGHT	112
C	SITTING HEIGHT	45
D	SITTING WIDTH	50
E	ARMREST WIDTH	15
F	TOTAL DEPTH	78

SUARE



- **Advanced Molded Foam Technology:** Utilizing aluminum molds, our seat and back foams are crafted to meet the exacting standards of MVSS 302, ensuring each piece delivers superior comfort and enduring quality.
- **Seamless Foam Integration:** Expertly molded onto robust metal frames, our back and seat foams adhere to EN 12727 / 3.1 standards, offering unmatched support and resilience.
- **Superior Upholstery Materials:** Our selection of PU leather and fabric not only adds a touch of elegance but also meets B1 flammability standards, blending aesthetics with safety.
- **Innovative Base Design:** Unlike traditional designs, our seats feature unique fabric feet, certified to EN 12727 / 3.1 standards, ensuring stability with a modern twist.
- **Adaptive Seat Cushion:** Equipped with a weight-responsive closing mechanism, our seat cushions offer effortless functionality. Alternatively, a spring option is available for those preferring a different comfort dynamic.

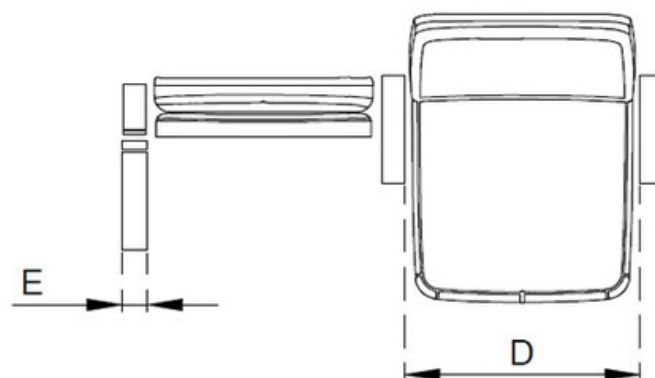
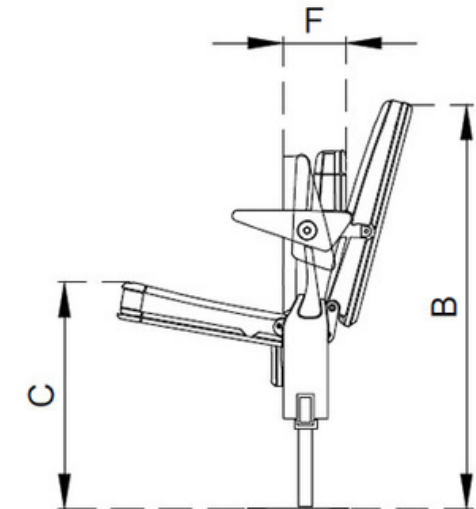
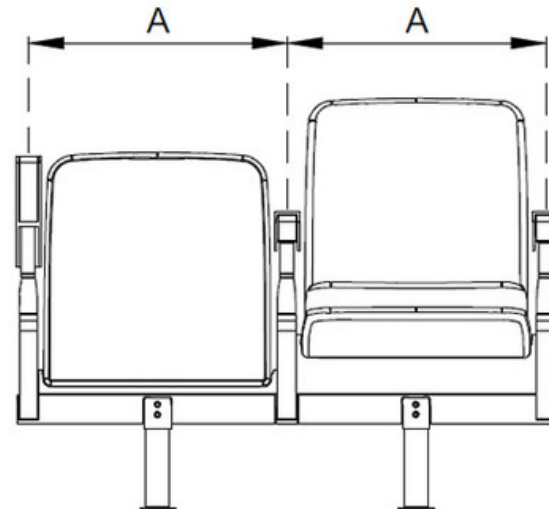


TECHNICAL DIMENSIONS (cm)		
A	CENTER TO CENTER	56
B	OVERALL HEIGHT	103
C	SITTING HEIGHT	45
D	SITTING WIDTH	49
E	ARMREST WIDTH	7
F	TOTAL DEPTH	58

JASPER



- **Superior Molded Comfort:** Crafted in aluminum molds, our seat and back foams meet the MVSS 302 standard, ensuring lasting comfort and support.
- **Enhanced Safety Upholstery:** Our PU leather or fabric options are designed with safety in mind, boasting B1, DIN EN 1021 flammability properties.
- **Robust Foundation:** Each seat is supported by durable metal feet, adhering to the EN 12727 / 3.1 standard, promising stability and longevity.
- **Innovative Closing Mechanism:** Our seat cushions feature an advanced weight system for automatic closure, enhancing convenience and functionality.
- **Durable Finish:** Metal parts are coated with a 60-micron thick layer of epoxy polyester-based powder paint, ensuring a sleek, wear-resistant surface.
- **Telescopic Design Excellence:** This telescopic chair is not just a feat of engineering but also a piece of art. The underside of the seat and the backrest are adorned with elegant wood veneer, combining functionality with aesthetic appeal and warmth to any space it occupies.

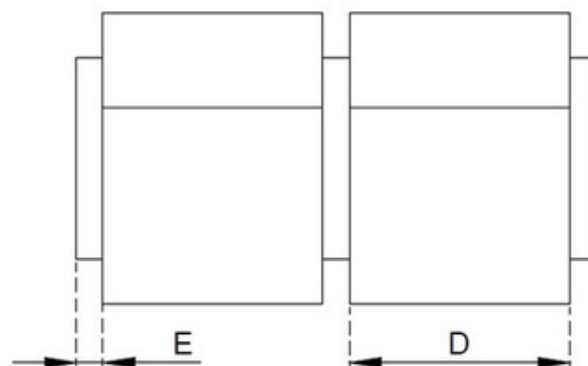
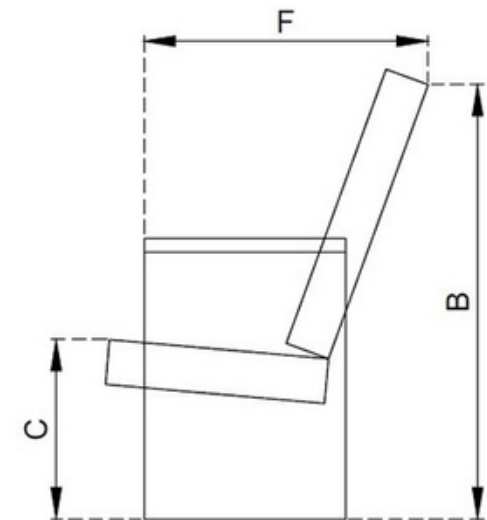
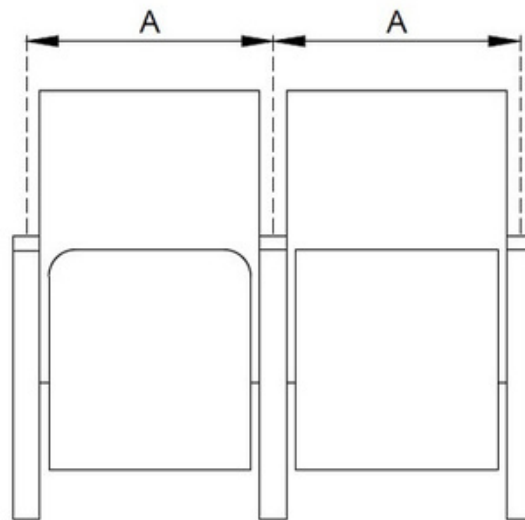


TECHNICAL DIMENSIONS (cm)	
A	51,5
B	83
C	45
D	46,5
E	5
F	16

TURKU AZ



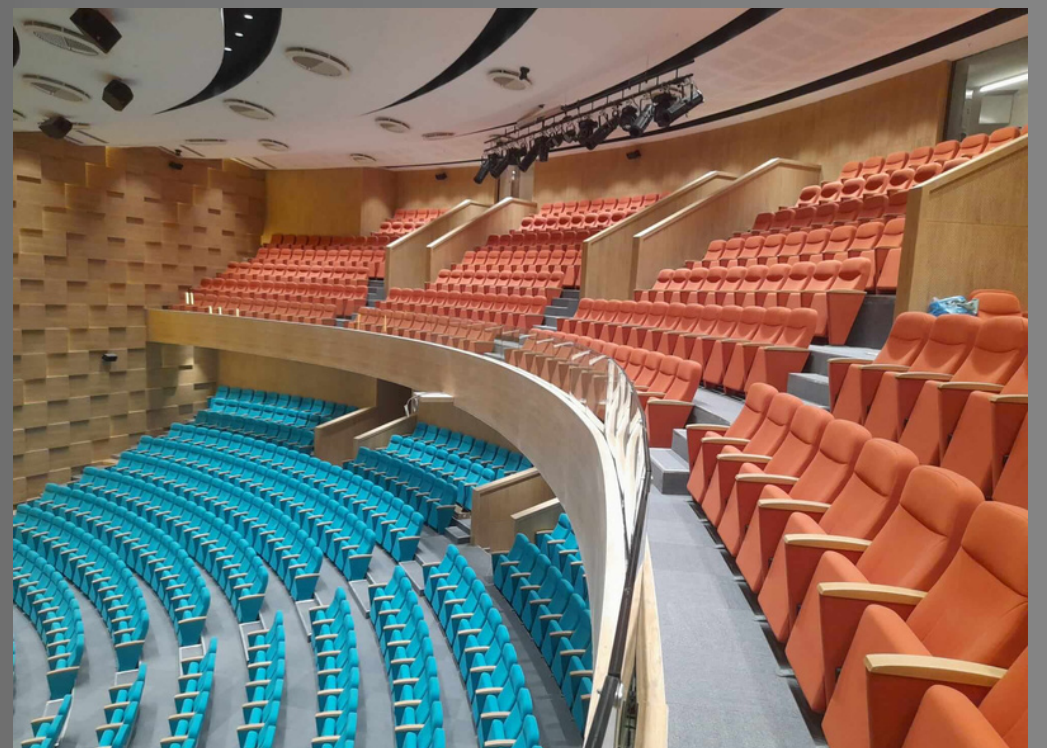
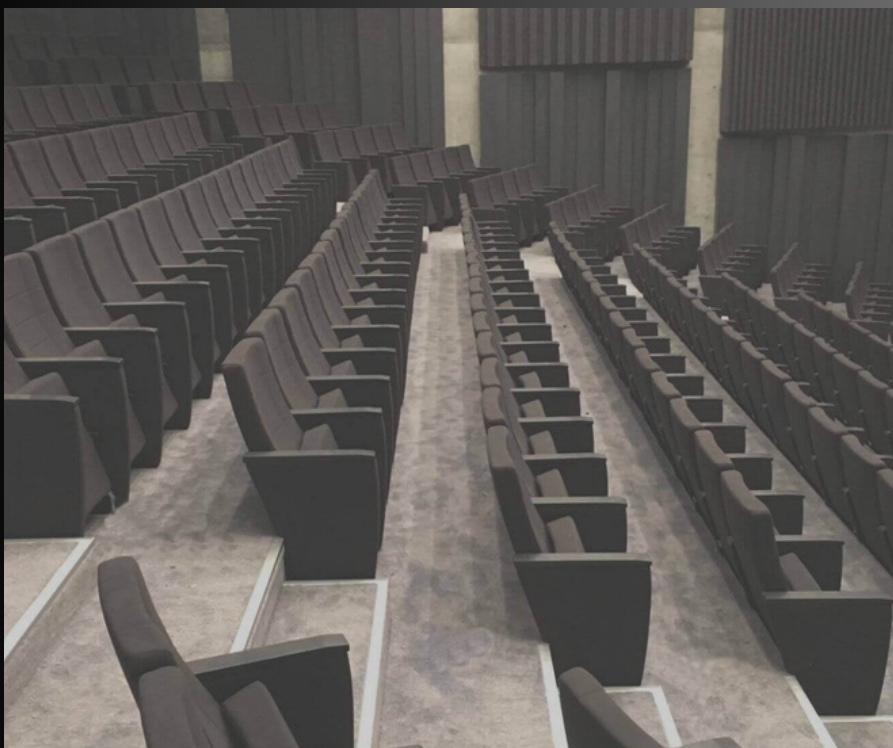
- **Meticulously Crafted Comfort:** Utilizing precision aluminum molds, our back and seat foams are produced to meet the rigorous MVSS 302 standard, ensuring each seat offers exceptional comfort and support.
- **Seamless Foam Integration:** The foam for both the back and seat is skillfully molded onto a durable metal frame, achieving the EN 12727/3.1 standard for robustness and longevity.
- **Safety Meets Sophistication:** Our seating solutions are upholstered with PU leather or fabric, each boasting advanced B1, DIN EN 1021 flammability properties, blending aesthetic appeal with high safety standards.
- **Sturdy Foundation:** The seats are supported by durable metal feet, conforming to EN 12727/3.1 standards, ensuring stability and strength for years to come.
- **Innovative Seat Cushion:** Our seat cushions are equipped with a unique spring system for an automatic shutdown feature, offering both comfort and convenience.
- **Elegant Finish:** The metal parts of our seats are finished with a 60-micron thick coating of epoxy polyester-based powder paint, providing a durable and attractive surface.
- **Wooden Armrest Elegance:** To add a touch of warmth and luxury, the tops of the armrests are finished with polished wood veneer, combining functionality with sophisticated design.



TECHNICAL DIMENSIONS (cm)		
A	CENTER TO CENTER	55
B	OVERALL HEIGHT	93
C	SITTING HEIGHT	45
D	SITTING WIDTH	49
E	ARMREST WIDTH	6
F	TOTAL DEPTH	46



Worldwide Projects





Worldwide Projects





Worldwide Projects

